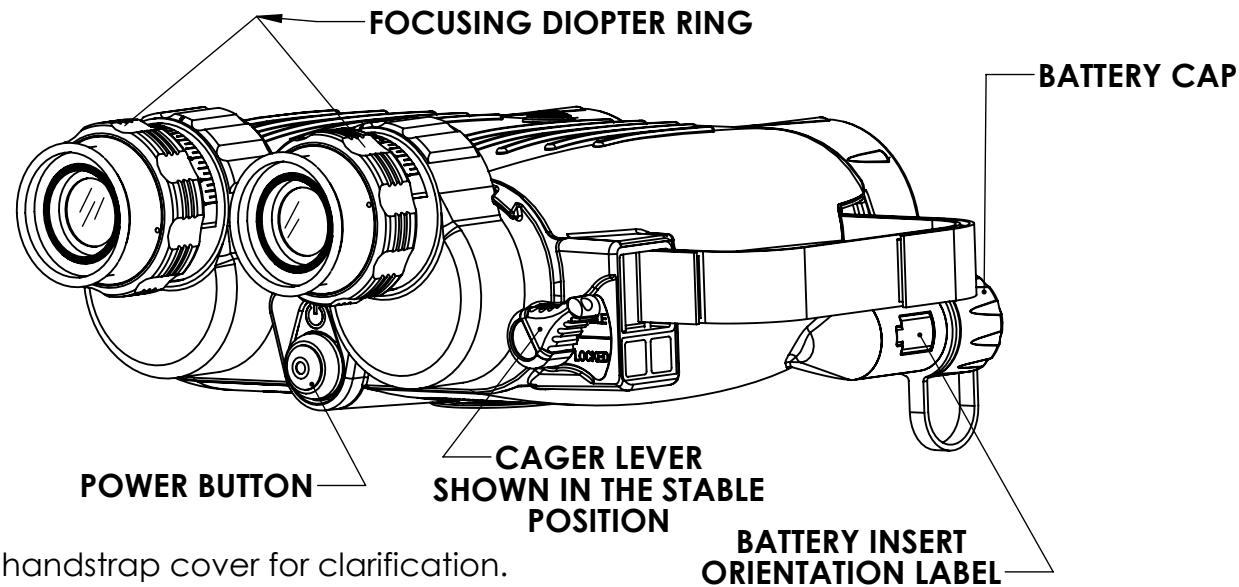


# S250 Operational Quick Reference



NOTE: Unit shown without handstrap cover for clarification.

## INSTRUCTIONS FOR USE

1. Insert battery into battery compartment and screw cap on until hand tight. Use **ONLY CR123 Lithium battery**.
2. Adjust inter pupillary distance by grasping both eyepieces and rotating in or out simultaneously as needed.
3. Adjust focus one eye at a time, by closing other eye and rotating diopter ring until image is crisp and clear.
4. Press power button to turn on. Green light will blink initially, wait approximately 15 seconds until green light is steady.
5. Press cager lever up to activate stabilization.
6. Prior to turning off, return cager lever to locked position. Press power button to turn off. Green light will blink for approximately 15 seconds, when green light goes out unit is off.

Specifications: 14x X 42mm  
Battery run time: Approx. 8 hours.  
Scan Rate: 7 Degrees/Second  
Weight: 3.2 lbs  
Gyro Stabilized



210 Andrews Road, Trevoise, PA 19053 Ph: (215) 443-5240 1